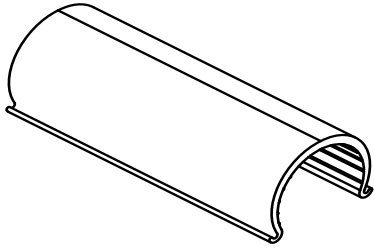
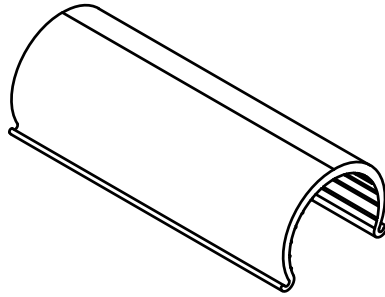


# What size Snap Clamp do you need?

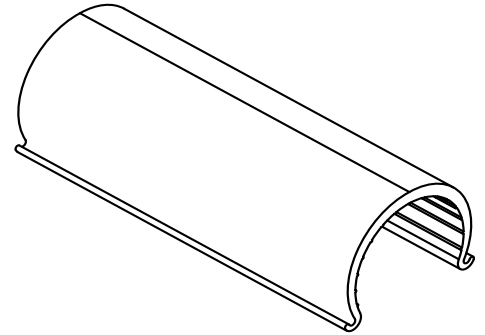
## Here's a guide to help.



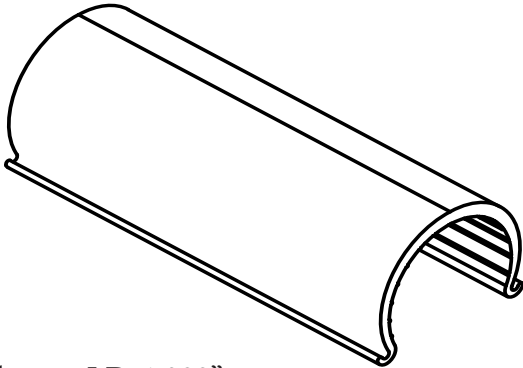
#10 Snap Clamp - I.D. 0.660"  
Fits: 1/2 inch EMT pipe. (O.D = 0.706")  
1/2 inch poly tubing (0.700)  
5/8" wire or rope (0.625)



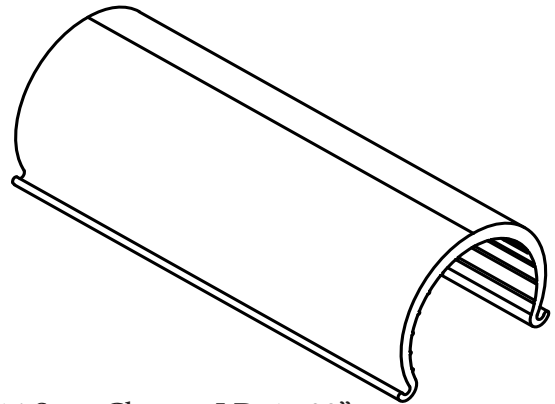
#11 Snap Clamp - I.D. 0.780"  
Fits: 1/2" PVC Pipe (O.D. = 0.840")  
3/4" EMT conduit (0.922")  
3/4" Poly Tubing (0.940")



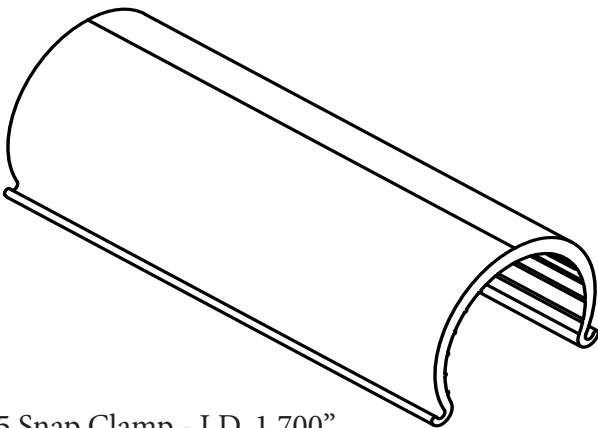
#12 Snap Clamp - I.D. 0.900"  
Fits: 3/4" PVC Pipe (O.D. = 1.050")  
1" EMT Conduit (1.163")  
1" Poly Tubing (1.200")



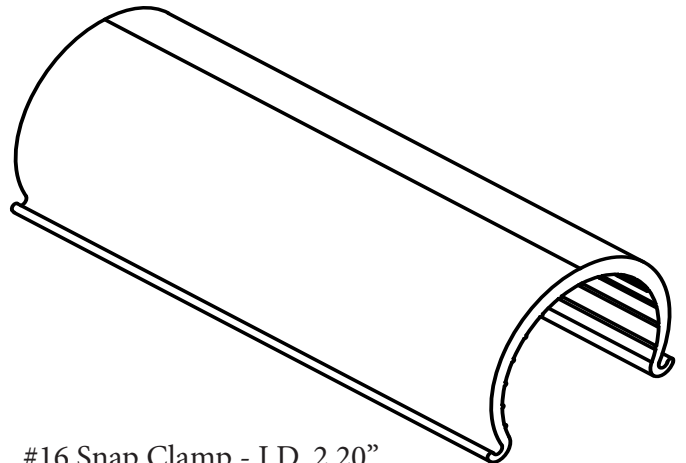
#13 Snap Clamp - I.D. 1.200"  
Fits: 1 inch PVC pipe (O.D = 1.315")  
1-1/4 inch EMT Conduit (1.510")  
1-3/8" Top Rail (1.375")



#14 Snap Clamp - I.D. 1.520"  
Fits: 1-1/4" PVC Pipe (O.D. = 1.660")  
1-5/8" Top Rail (1.625")  
1.5" EMT Conduit (1.740")



#15 Snap Clamp - I.D. 1.700"  
Fits: 1.5" PVC Pipe (1.900")  
2" EMT Conduit (2.197")



#16 Snap Clamp - I.D. 2.20"  
Fits: 2" PVC Pipe (O.D. = 2.375")  
2.5" EMT - (O.D. = 2.375")