

PLEASE NOTE: You will need 200 ft. (10 x 20 ft.) sticks of schedule 40 PVC pipe. And approx. 20-40 ft. more if putting supports between ribs.

Item #278

Arched GreenHouse

Page 1 of 3

Material List:

All Pipe is 1 in. Sch 40 PVC
(unless otherwise specified)

Item	Qty	Description
A	2	138" Pipe
B	2	150" Pipe
C	5	228" Pipe
D	4	35" Pipe
E	2	72" Pipe
F	10	27" Pipe
G	2	67" Pipe
H	3	1" Slip Cross Circo Item # 133-F Slip
I	100	1" Snap Clamps 4" (Circo Item #13)
J	16	1" Slip-T's (Circo Item # 63-U)
K	4	1" 3-way Connector (Circo Item #33-U)
L	8	1" 90 deg. Elbow (Circo Item # 113-U)
M	10	12+'' Ground Stake (Wood or Metal)
P	1	20'x13'-6'' Top Cover (Plastic, Netting or Shade)
S	2	12-1/2'x7' End Cover
T	1	78''x38'' Door Cover
U	1	38''x38'' Window Cover
W	16	Self Tapping Screws (3/4'' Long)
Y	2	1 '' Snap Cross (Circo Item #263)
Z	4	Hinge (Circo Item #253)

STEP 1 - ASSEMBLE BASE FRAME:

(Do Not Glue any Parts)

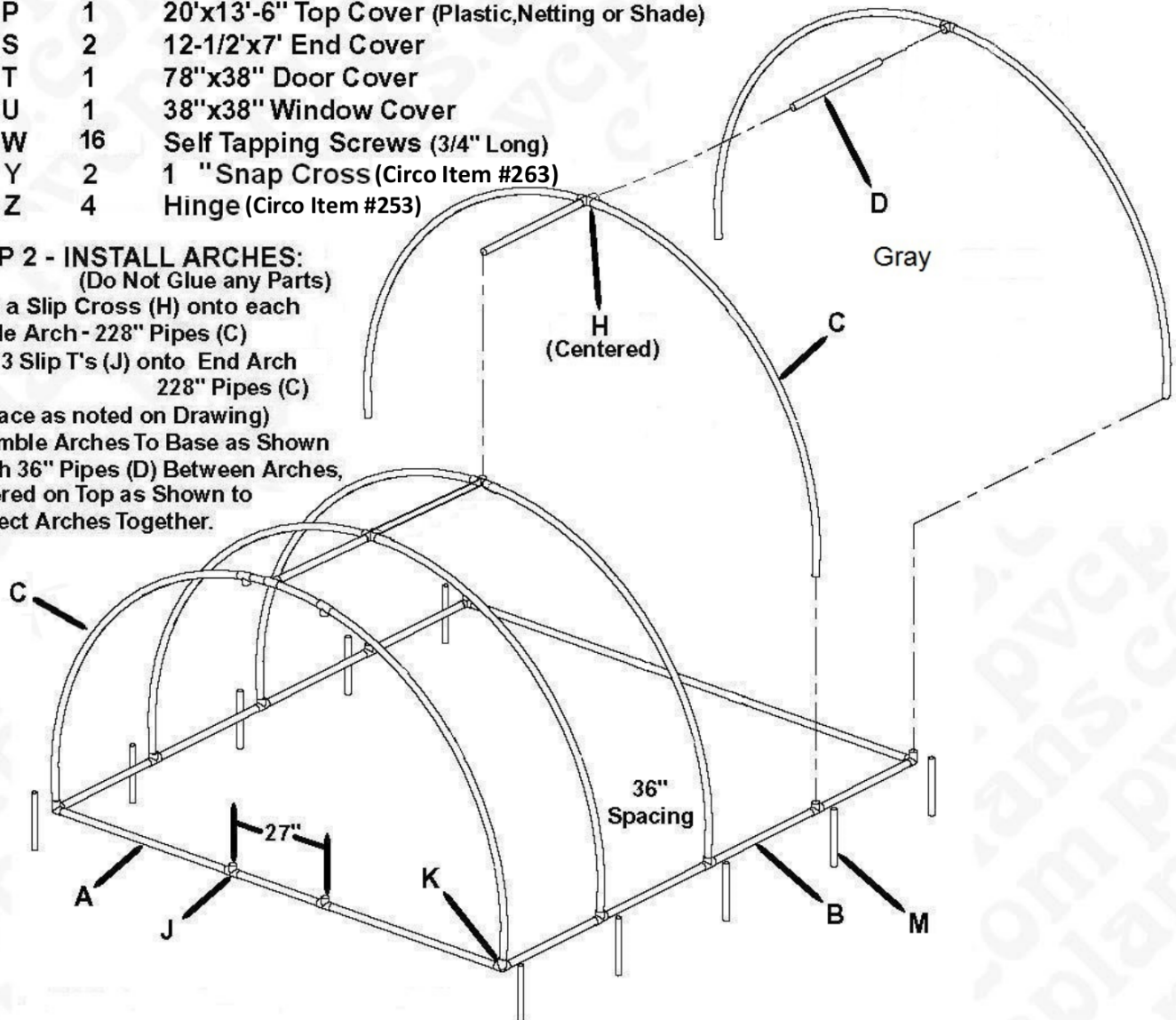
- Slide 3 Slip T's (J) onto 150" Pipes (B) and 2 Slip T's (J) onto 138" Pipe (A) (Space as Noted on Drawing)
- Connect Pipes at Corners with 3-Way's (K)
- Drive 5 Stakes (M) into the Ground on Each Long Side of the Base. Leave 2" of Stake Above Ground to Secure Base

This design incorporates a rear open design which makes it easier to bring a wheel barrow or equipment in and out.

STEP 2 - INSTALL ARCHES:

(Do Not Glue any Parts)

- Slide a Slip Cross (H) onto each Middle Arch - 228" Pipes (C) and 3 Slip T's (J) onto End Arch 228" Pipes (C) (Space as noted on Drawing)
- Assemble Arches To Base as Shown
- Attach 36" Pipes (D) Between Arches, Centered on Top as Shown to Connect Arches Together.



Arched GreenHouse

Page 2 of 3

ASSEMBLE DOOR & DOOR FRAME:

1. Slide a Slip-T (J) onto each Door Frame Side (E)
Locate 4" Down from Top.
2. Snap Hinges and Latch onto Door Frame Sides
Positioned as Shown in Fig. 1
3. Connect the Two Door Frames with 27" Pipe (F)
Assemble into Slip-T's on Arch and Base on
Front of GreenHouse.
4. Assemble Door as Shown
in Fig 1. with Middle Support Pipe (F) Located in
the Center of the Door.
Use screw to attach Latch to frame (not door)
Snap Hinges onto Door and Frame as shown.
Secure with screws.

Hinge (Z)



Latch (Y)

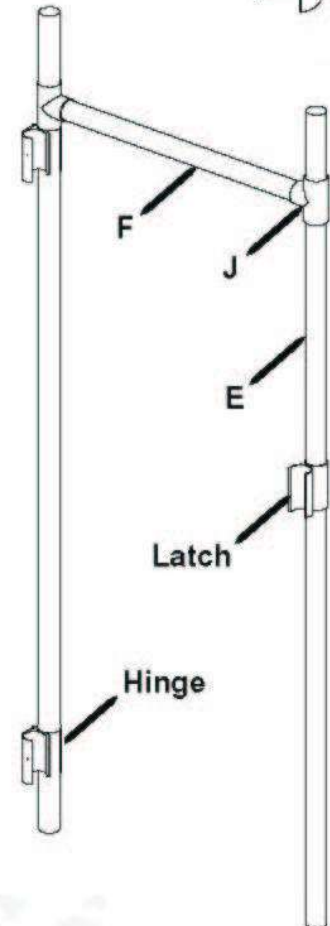
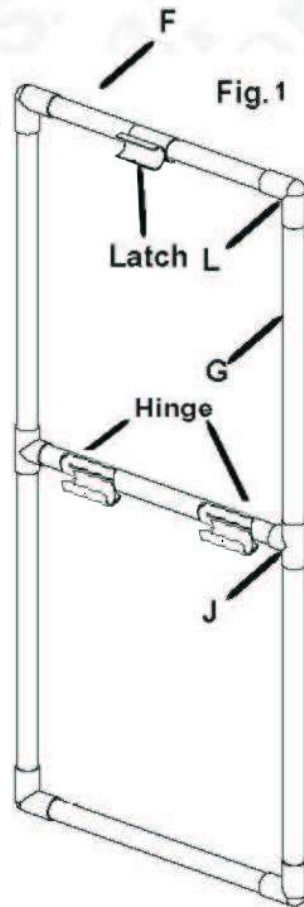
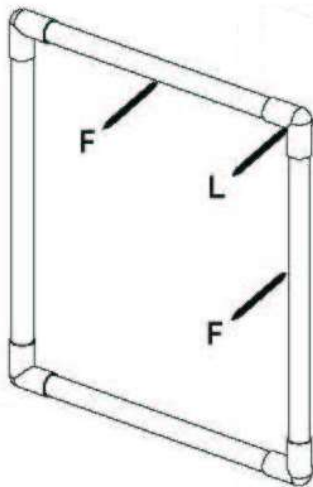


Fig. 4



Assemble Window and Install into the Door:

- 1.) Assemble the window as shown in Fig. 4
- 2.) Use screws to attach Hinges and the Latch (don't screw latch to window)
- 3.) Snap window into hinges on door and rotate up to close window by snapping it into the latch.

Arched GreenHouse

Page 3 of 3

COVER AND SECURE THE ARCHED GREEN HOUSE:

1. Cover the Door with Covering (T) Use SnapClamps (I) Spaced about 2 ft. apart to Secure the Covering to the Door.
2. Cover the Window with Covering (U) Use SnapClamps (I) Spaced about 2 ft. apart to Secure the Covering
3. Cover the Top with Covering (P) Using SnapClamps (I) Spaced about 2 ft. apart to Secure the Covering to the Top.
4. Cover the Ends with Covering (S) Using SnapClamps (I) Spaced about 2 ft. apart to Secure the Covering to the Ends.
5. Glue Fittings as Needed.
6. Screw Self Tapping Screw (W) into any Clamps, Hinges, or Latches as Needed.
7. Secure Green House to Gound with Stakes, Sandbags or Blocks.
8. Trim Excess Coverings.

This design uses a rear roll up using a 11.5' pipe that is clamped to the rear 12.5' x 7' plastic sheeting and can be rolled up by rotating the pipe upward then snapping it into place with Snap Clamps.

